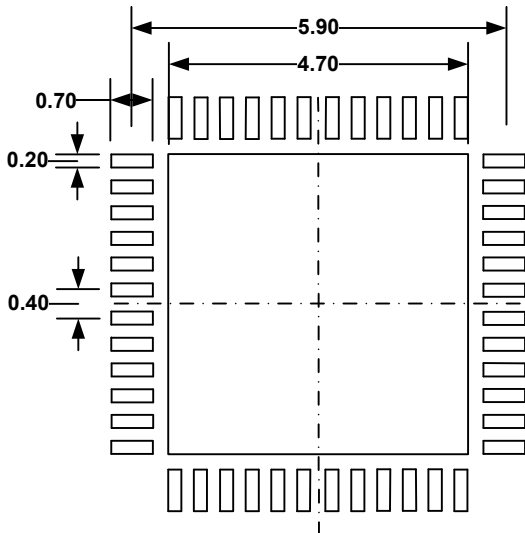
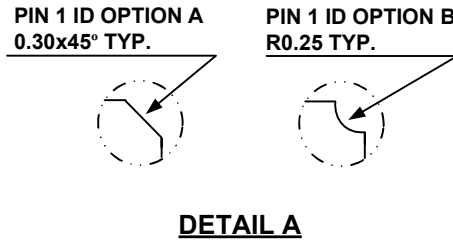
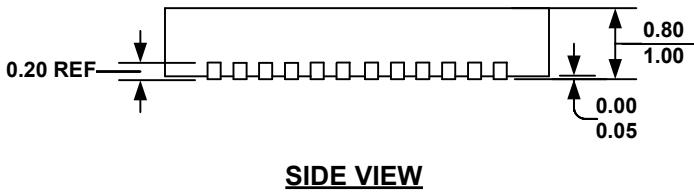
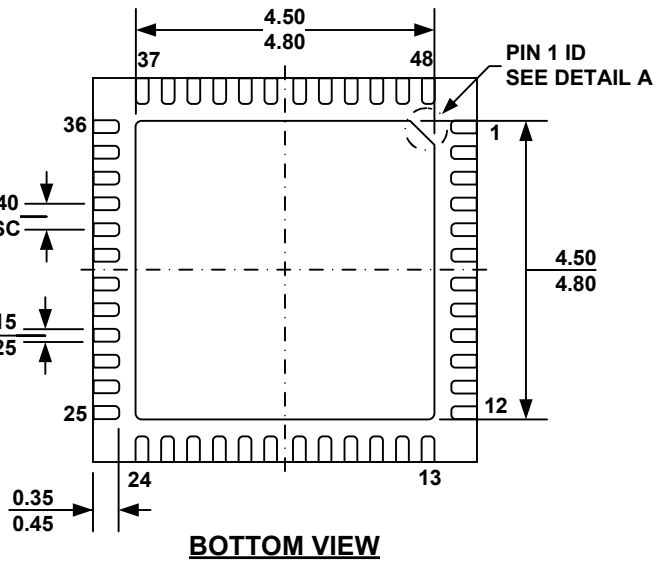
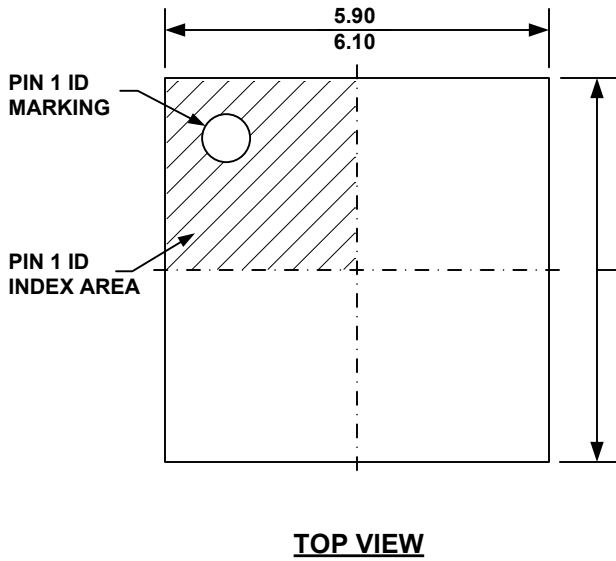


PACKAGE OUTLINE DRAWING FOR 48L QFN (6x6mm)
MF-PO-D-0087 revision 0.0



NOTE:

- 1) ALL DIMENSIONS ARE IN MILLIMETERS.
- 2) EXPOSED PADDLE SIZE DOES NOT INCLUDE MOLD FLASH.
- 3) LEAD COPLANARITY SHALL BE 0.10 MILLIMETER MAX.
- 4) JEDEC REFERENCE IS MO-220, VARIATION VJJE-1.
- 5) DRAWING IS NOT TO SCALE.